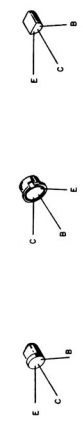


TRANSISTOR INFORMATION



GENERAL INFORMATION

This symbol denotes the common connecting points for the various power supply connections throughout the unit. Note that several of these points are marked "source" which denotes the origin of the reference potential.

These symbols both represent B- (amplifier chassis ground).

Arrows indicate the direction of audio signal flow through the circuits.

This symbol indicates plug and socket terminal connections where it is not practical to draw the assembly as a complete unit.

1. All capacitors in μF unless otherwise indicated.
 2. All resistors 1/2W 10% unless otherwise indicated.
 3. All voltage ratings made with 20,000 Ohm per volt meter (voltages + or - 10%).
 4. Arrow drawn on pot. arm indicates clockwise rotation.



© Telephonics ORGAN CO. 197
 NATIONAL SERVICE DEPARTMENT
 1728 WOODLEY AVE. - SPRINGFIELD, CALIFORNIA 95104

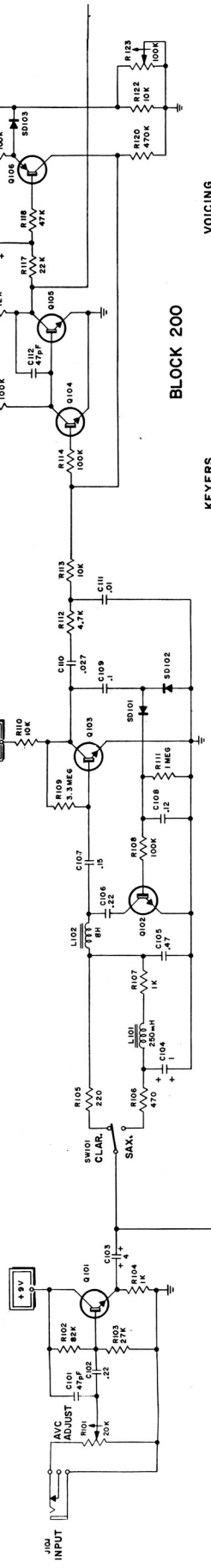
STEREO MULTI-VOICE

95-910311

BLOCK 100

SIGNAL FILTER & AMPLIFIER

INPUT EMITTER FOLLOWER



SQUARING AMPLIFIER

BLOCK 200

KEYERS

1 ST DIVIDER

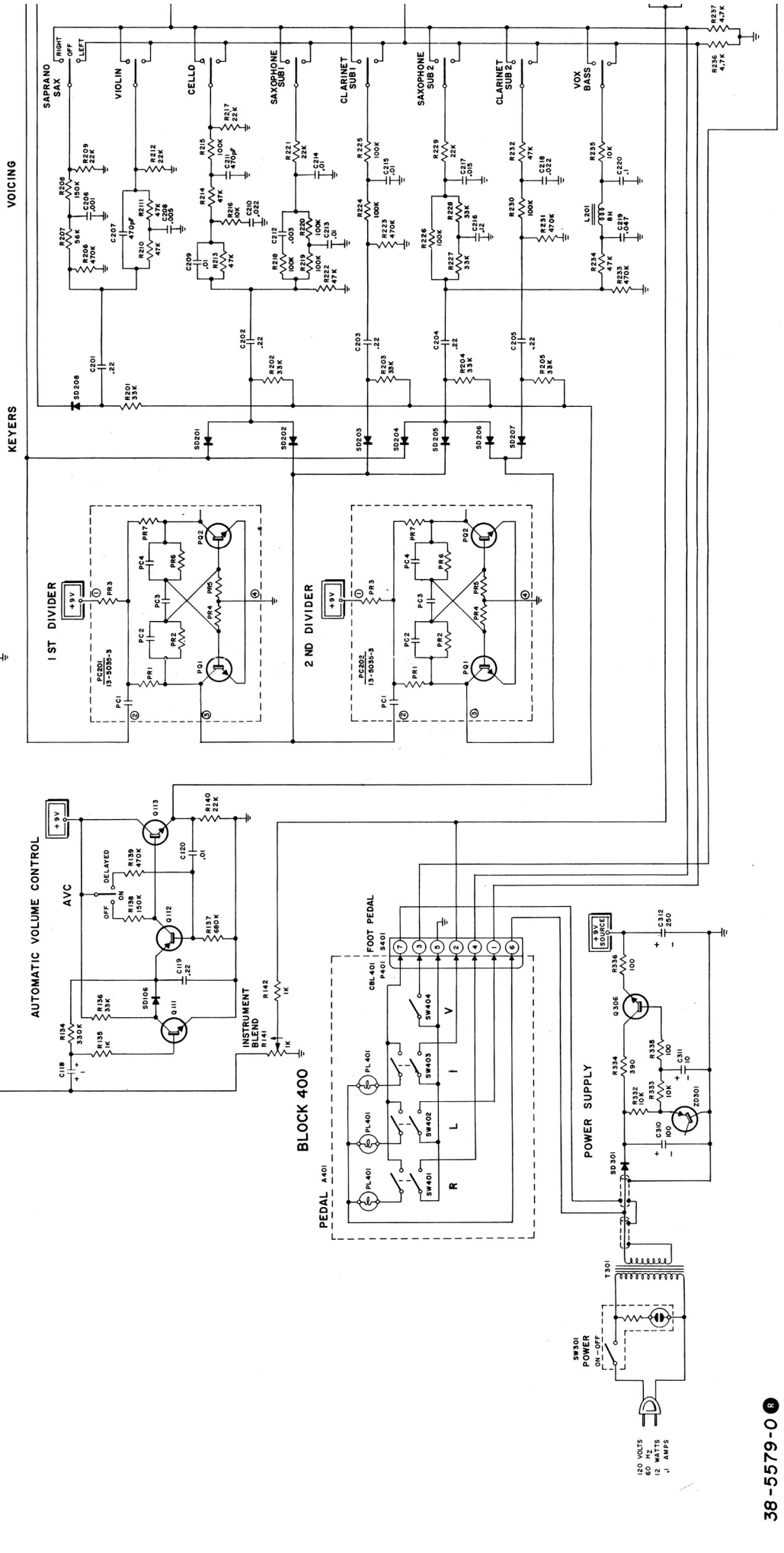
2 ND DIVIDER

AUTOMATIC VOLUME CONTROL

INSTRUMENT BEND

PEDAL A 401

POWER SUPPLY



120 VOLTS
60 HZ
100 WATTS
1.1 AMPS