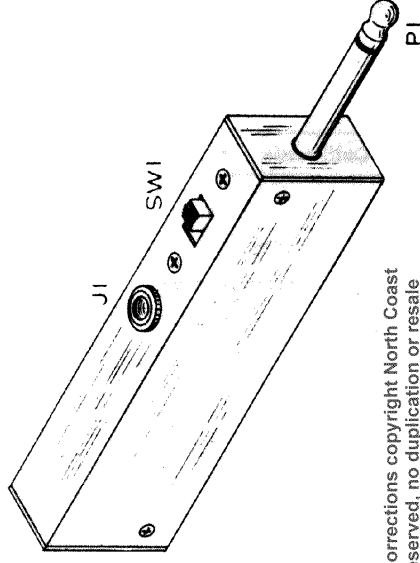
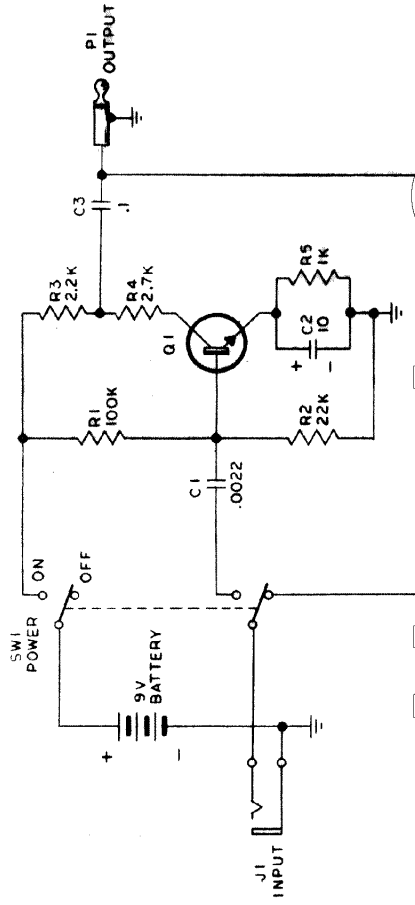


TREBLE BOOSTER



Digital remastering and corrections copyright North Coast Music 2000. All rights reserved, no duplication or resale allowed without the expressed consent of North Coast Music.

North Coast Music



Digital rendering, additions, and corrections copyright 2000 North Coast Music. All rights reserved, unauthorized duplication or resale strictly prohibited.

REPEAT PERCUSSION V809

SERVICE INFORMATION

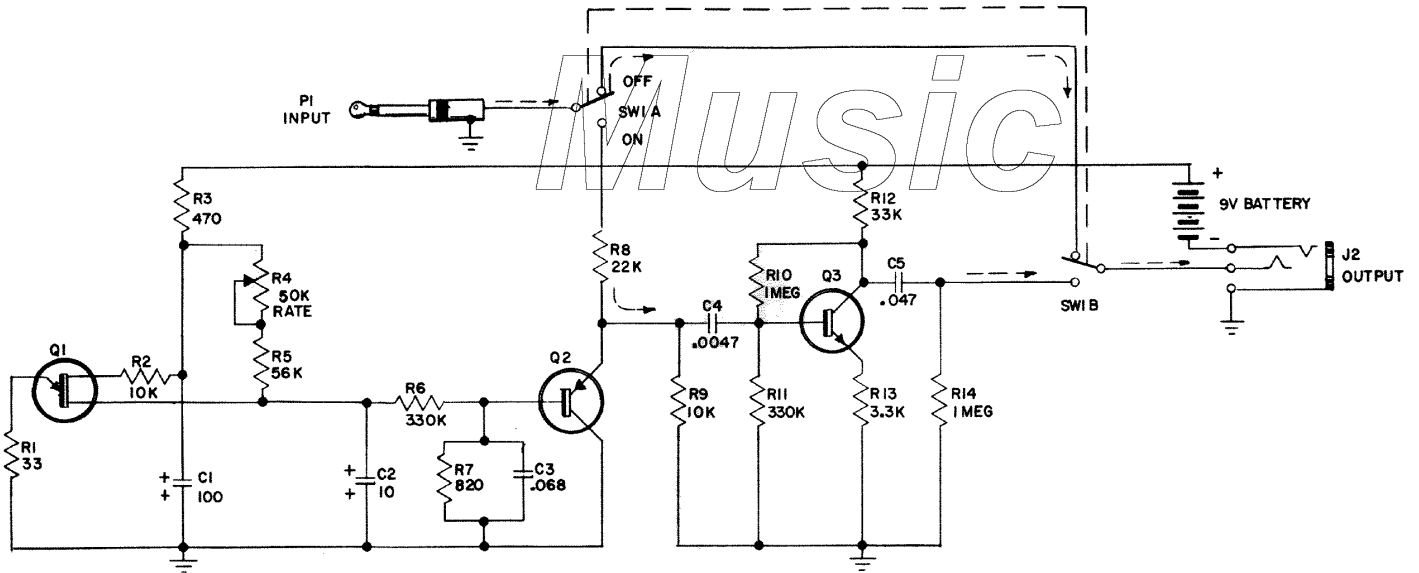
Thomas Organ Company • National Service Department • Sepulveda, California

REPLACEMENT PARTS LIST

© 1969

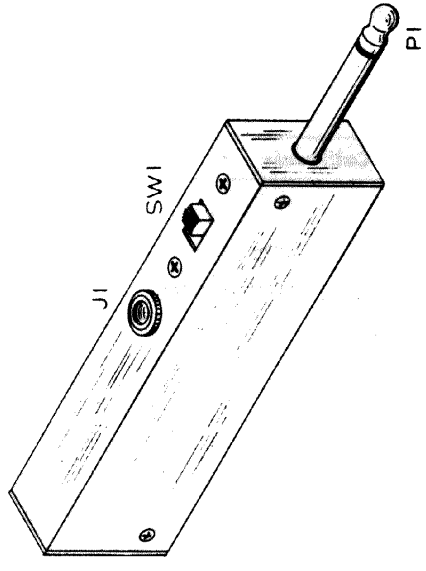
Location	Part No.	Description
C1	09-5969-0	100 uF 12V (Electro)
C2	09-5968-0	10 uF 15V (Electro)
C3	09-5966-0	.068 uF
C4	09-5967-0	.0047 uF
C5	09-5965-0	.047 uF
R1	09-5970-0	33 Ohm
R2-R9	09-5974-0	10k Ohm
R3	09-5971-0	470 Ohm
R4	09-5960-0	50k Ohm Pot. W/Knob
R5	09-5977-0	56k Ohm
R6-R11	09-5978-0	330k Ohm
R7	09-5972-0	820 Ohm
R8	09-5975-0	22k Ohm
R10-R14	09-5979-0	1 Meg. Ohm
R12	09-5976-0	33k Ohm
R13	09-5973-0	3.3k Ohm
Q1	09-5963-0	Transistor (NTE 6401)
Q2	09-5961-0	Transistor (NTE 123A)
Q3	09-5962-0	Transistor

North Coast Music

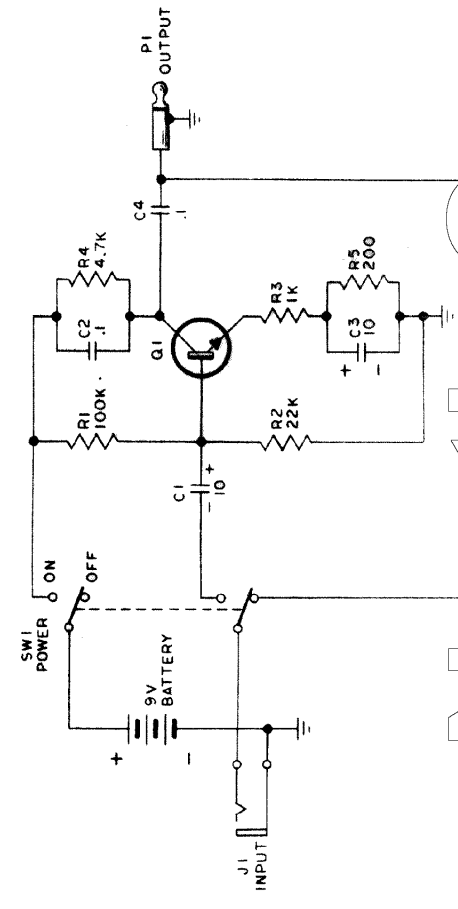


SCHMATIC

BASS BOOSTER



Digital remastering and corrections copyright North Coast Music 2000. All rights reserved, no duplication or resale allowed without the expressed consent of North Coast Music.



North Coast Music



DELUXE DISTORTION BOOSTER

V8161

SERVICE INFORMATION

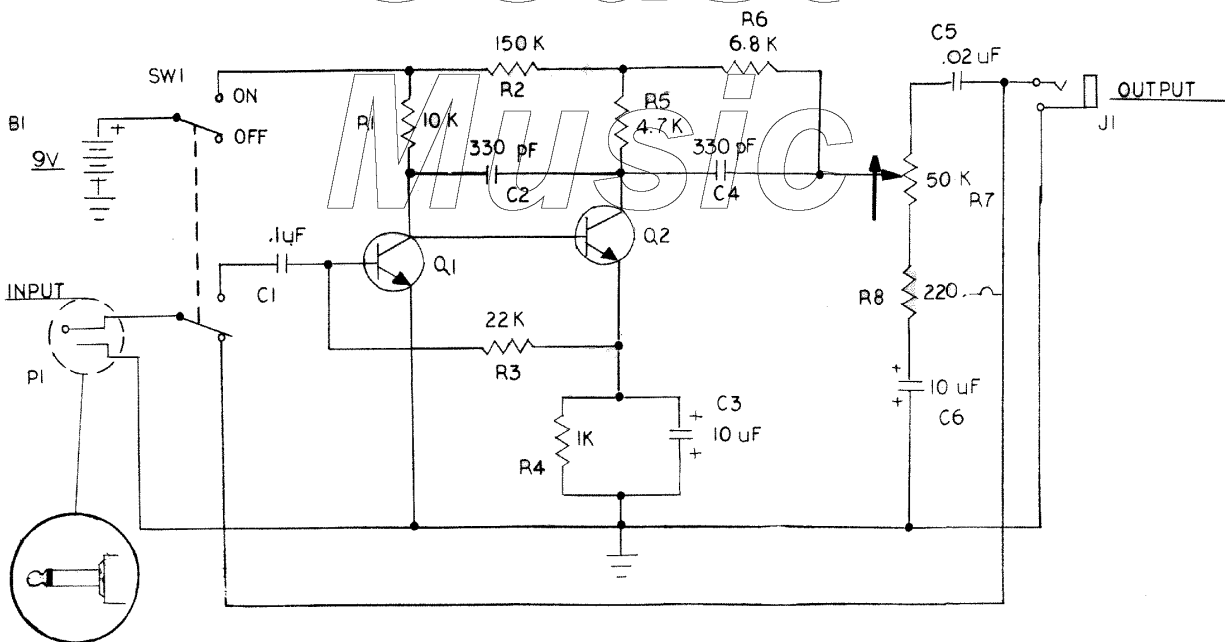
Thomas Organ Company • National Service Department • Sepulveda, California

REPLACEMENT PARTS LIST

Digital rendering, additions, and corrections copyright 2000 North Coast Music. All rights reserved, unauthorized duplication or resale strictly prohibited.

CAPACITORS

Location	Part No.	Description
C1	09-5851-0	.1 uF 3V
C2-C4	09-5852-0	330 pF 50V 10%
C3-C6	09-5853-0	10 uF 25V (N. P. Electro.)
C5	09-5854-0	.02 uF 50V
R1	09-5855-0	10 k Ohm
R2	09-5856-0	150 Ohm
R3	09-5857-0	22 k Ohm
R4	09-5858-0	1 k Ohm
R5	09-5859-0	4.7 k Ohm
R6	09-5860-0	6.8 k Ohm
R7	09-5861-0	50 k Ohm Pot. (Min.)
R8	09-5862-0	220 Ohm
B1	66-5000-0	9V Battery
J1	09-5863-0	Output Phone Jack
P1	09-5864-0	Input Phone Plug
Q1-Q2	86-5050-2	Transistor (2N2924)
SW1	09-5865-0	On/Off Switch



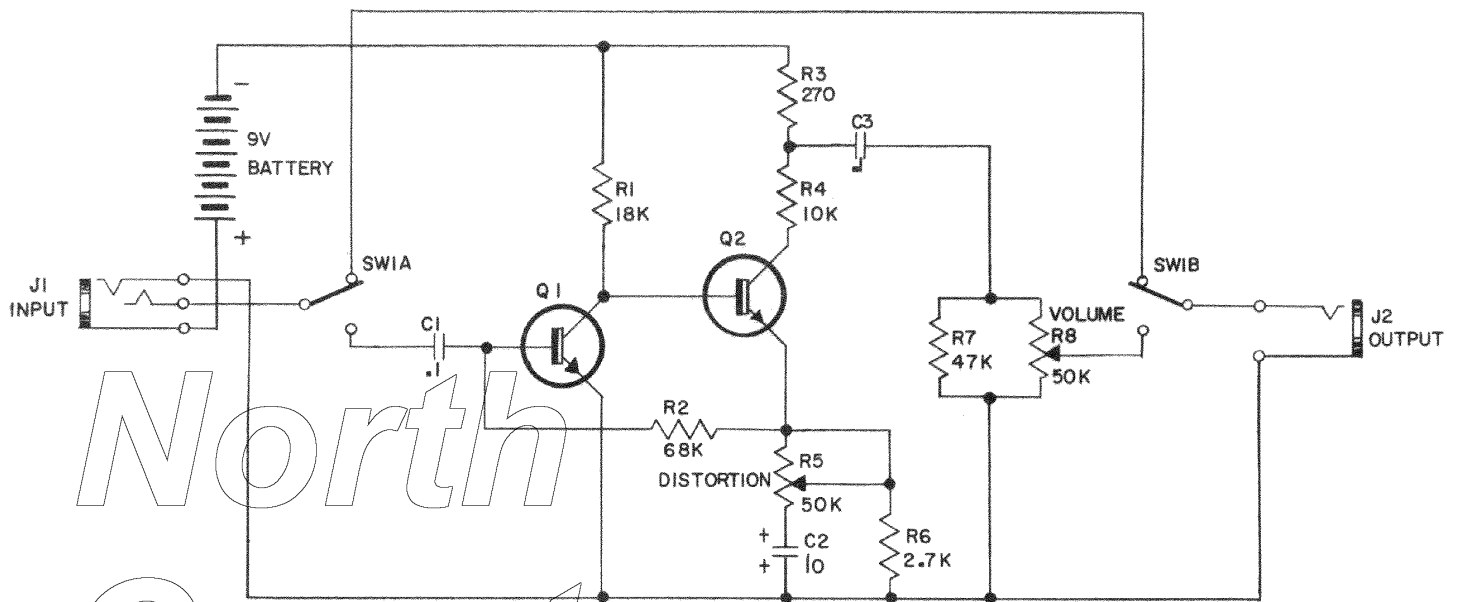


DISTORTION BOOSTER V8162

SERVICE INFORMATION

Thomas Organ Company • National Service Department • Sepulveda, California

© 1969



North
Coast
Music

Digital rendering, additions, and corrections copyright 2000 North Coast Music. All rights reserved, unauthorized duplication or resale strictly prohibited.

REPLACEMENT PARTS LIST

Location	Part No.	Description
CAPACITORS		
C1-C3	09-5984-0	.1 uF
C2	09-5968-0	10 uF 15V (Electro)
RESISTORS - 1/4W 10% Unless Otherwise Indicated		
R1	09-5986-0	18k Ohm
R2	09-5988-0	68k Ohm
R3	09-5985-0	270 Ohm
R4	09-5974-0	10k Ohm
R5-R8	09-5950-0	50k Ohm Pot. (Distortion, Volume)
R6	09-5989-0	2.7k Ohm
R7	09-5987-0	47k Ohm



TREBLE-BASS BOOSTER V8401

SERVICE INFORMATION

Thomas Organ Company • National Service Department • Sepulveda, California

© 1969

REPLACEMENT PARTS LIST

Location	Part No.	Description
CAPACITORS		
C1-C2	09-5993-0	.22 uF
C3	09-5994-0	.0022 uF
C4	09-5984-0	.1 uF
R1	09-5960-0	50k Ohm Pot. W/Knob
R2	09-5976-0	33k Ohm
R3	09-5997-0	470k Ohm
R4	09-5996-0	220k Ohm
R5	09-5995-0	180k Ohm
R6	09-5998-0	100k Ohm
R7	09-5979-0	1 Meg. Ohm
Q1	09-5962-0	Transistor

