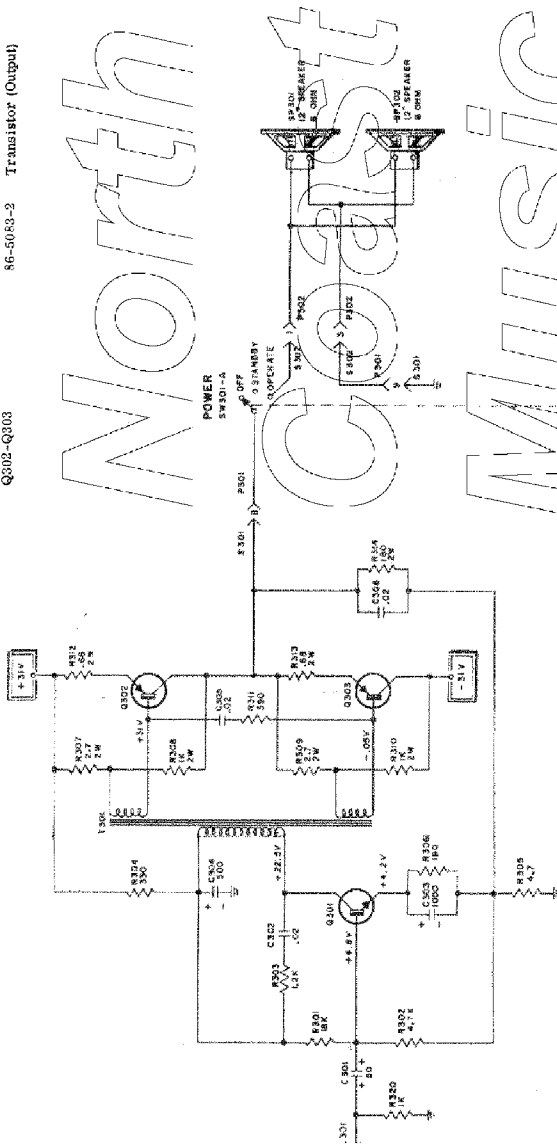


TRANSISTORS

- Q101-Q106-Q107-Q110 Transistor (FET)
- Q102-Q108-Q111 Transistor (Biac)
- Q100-Q104-Q112 Use 86-5044-2
- Q105-Q109 Transistor (FET)
- Q201-Q205-Q206-Q207-Q208-Q209-Q210-Q211-Q212 Use 86-5044-2
- Q206 Transistor (Green/Yellow)
- Q207 Transistor (Green)
- Q208 Transistor (Green)
- Q209 Transistor ("G")
- Q210 Transistor (Blue)
- Q211 Transistor "E"
- Q212 Transistor (Output)

**BLOCK 300
POWER AMPLIFIER**

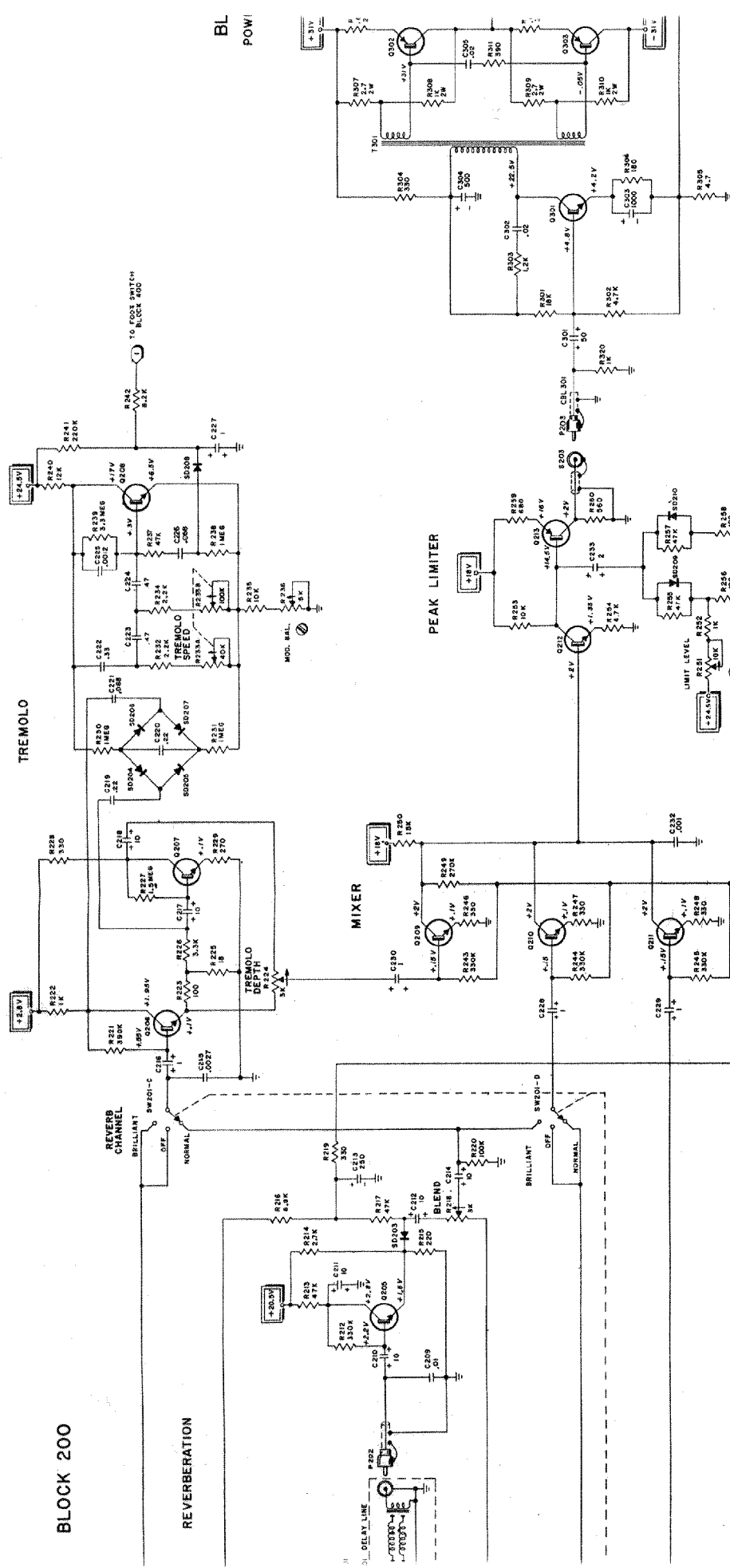


VISCOUNT

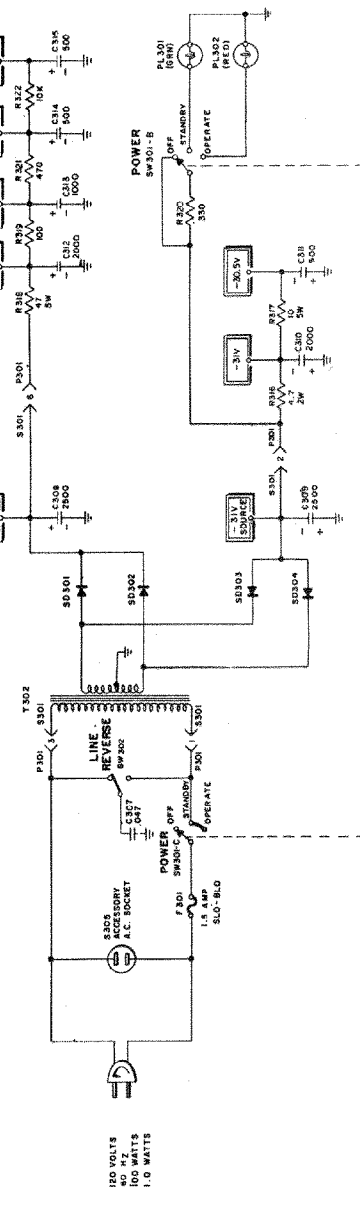
V1154

© 1968 VOX MANUFACTURING CO. MADE IN U.S.A.
NATIONAL SERVICE DEPARTMENT
8725 WILSON AVENUE - SEPULVEDA, CALIFORNIA 91350

BLOCK 200



Worth Coast Music

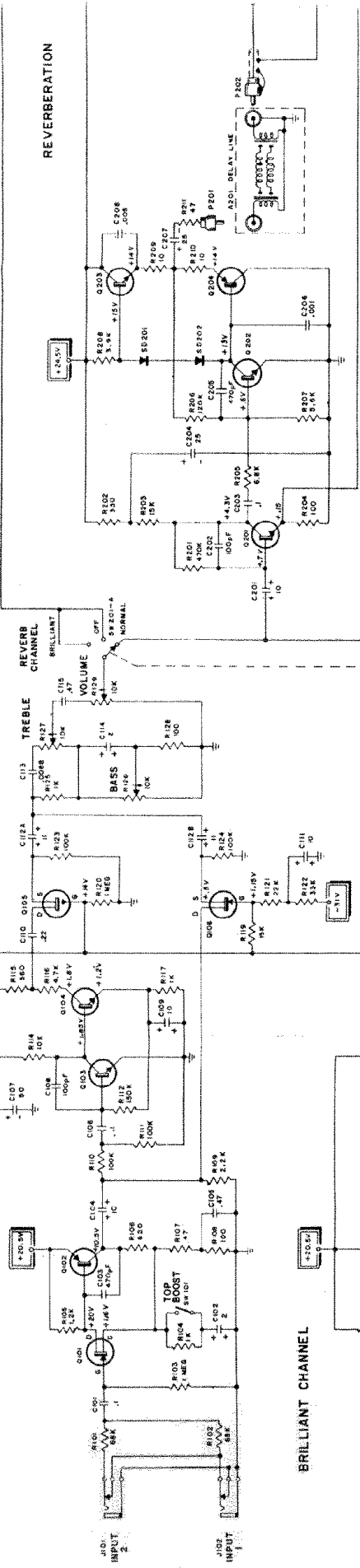


North Coast Music

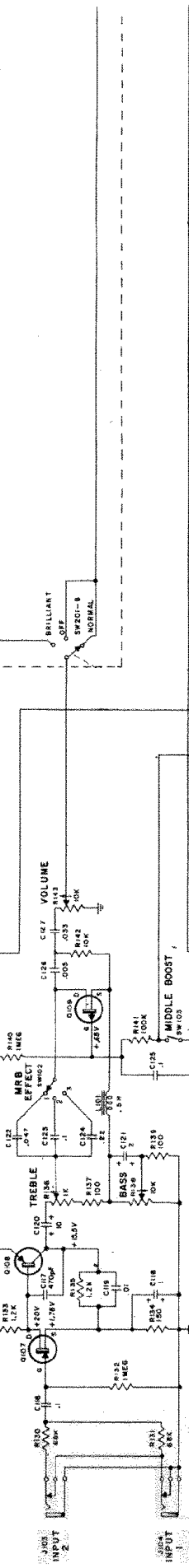
BLOCK 200

BLOCK 100
DISTORTION BOOSTER

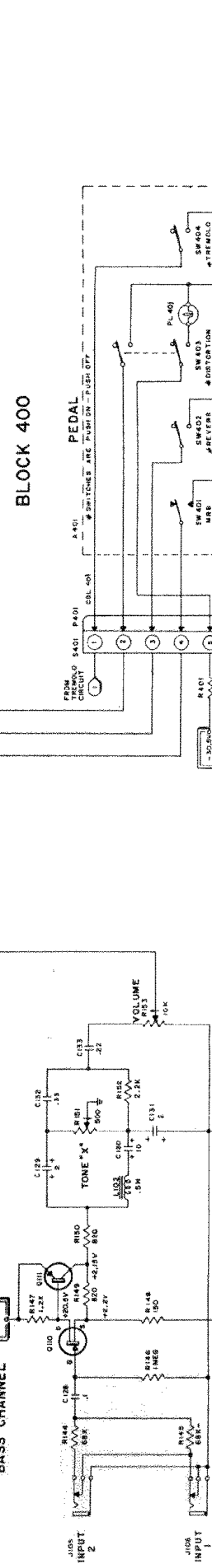
NORMAL CHANNEL



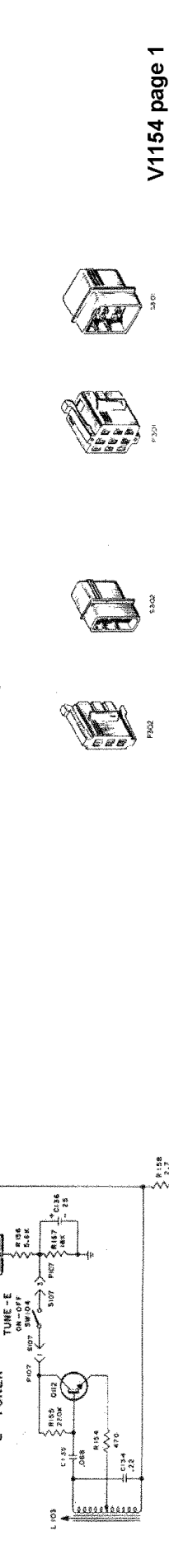
BRILLIANT CHANNEL



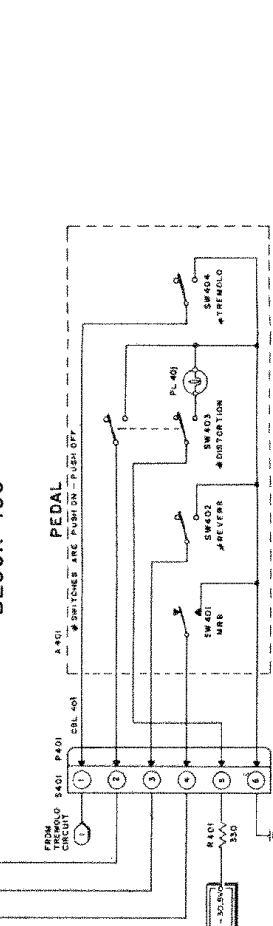
BASS CHANNEL



"E" TUNER



BLOCK 400



V1154 page 1