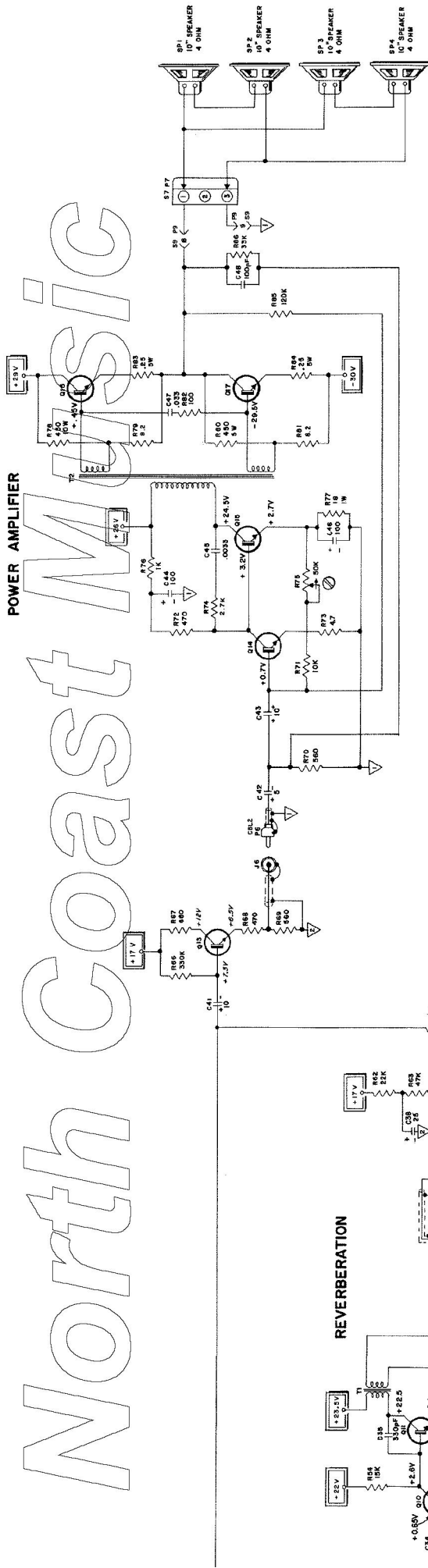


POWER AMPLIFIER



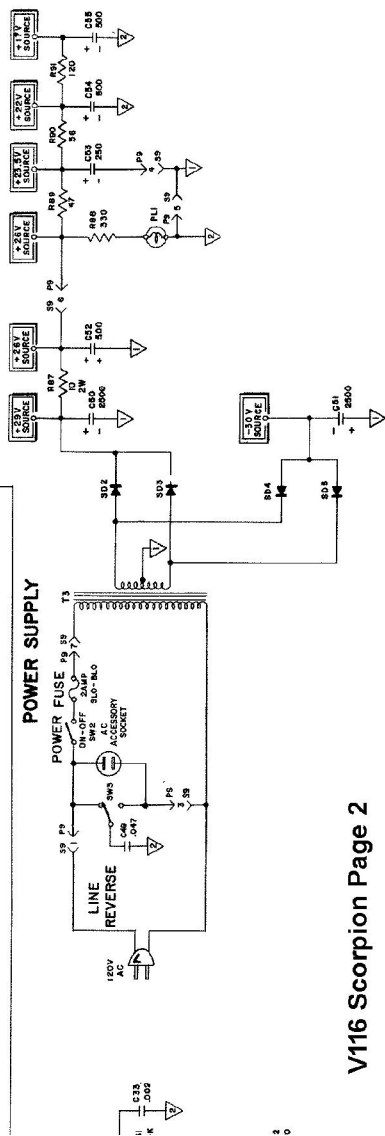
TRANSISTORS

- Q1-Q2-Q3-Q7-Q8
- Q9-Q12-Q14
- Q4
- Q5-Q6-Q10-Q13
- Q11
- Q15
- Q16-Q17

- 86-5044-2 Transistor (Yellow/Green)
- 86-5050-2 Transistor (Yellow)
- 86-5114-2 Transistor (Yellow)
- 86-5075-2 Transistor ("G")
- 86-5085-2 Transistor (Driver)
- 86-5084-2 Transistor

VOX GENERAL INFORMATION

THIS SYMBOL INDICATES COMMON POWER SUPPLY CONNECTIONS THROUGHOUT THIS UNIT.
 THIS SYMBOL INDICATES WIRE AND SOCKET TERMINAL CONNECTIONS WHERE IT IS NOT PRACTICAL TO DRAW THE ASSEMBLY AS A COMPLETE UNIT.
 THIS SYMBOL INDICATES COMMON POWER SUPPLY CONNECTIONS THROUGHOUT THIS UNIT.
 THIS SYMBOL INDICATES WIRE AND SOCKET TERMINAL CONNECTIONS WHERE IT IS NOT PRACTICAL TO DRAW THE ASSEMBLY AS A COMPLETE UNIT.
 THIS SYMBOL INDICATES COMMON POWER SUPPLY CONNECTIONS THROUGHOUT THIS UNIT.
 THIS SYMBOL INDICATES WIRE AND SOCKET TERMINAL CONNECTIONS WHERE IT IS NOT PRACTICAL TO DRAW THE ASSEMBLY AS A COMPLETE UNIT.
 THIS SYMBOL INDICATES COMMON POWER SUPPLY CONNECTIONS THROUGHOUT THIS UNIT.
 THIS SYMBOL INDICATES WIRE AND SOCKET TERMINAL CONNECTIONS WHERE IT IS NOT PRACTICAL TO DRAW THE ASSEMBLY AS A COMPLETE UNIT.
 THIS SYMBOL INDICATES COMMON POWER SUPPLY CONNECTIONS THROUGHOUT THIS UNIT.
 THIS SYMBOL INDICATES WIRE AND SOCKET TERMINAL CONNECTIONS WHERE IT IS NOT PRACTICAL TO DRAW THE ASSEMBLY AS A COMPLETE UNIT.



Digital rendering, corrections, and additions copyright 2000, North Coast Music. All rights reserved, unauthorized duplication or resale prohibited.

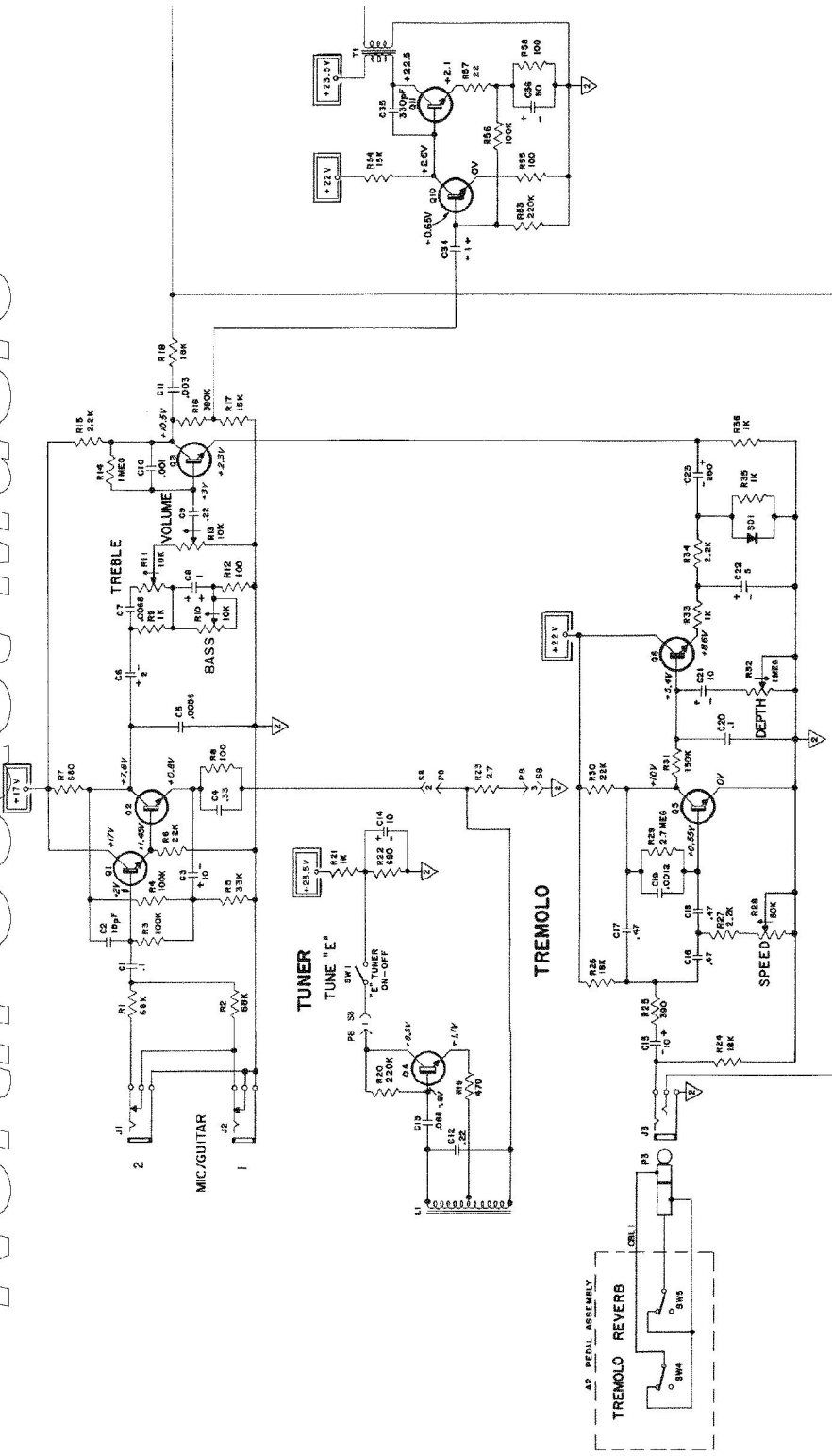


SCORPION

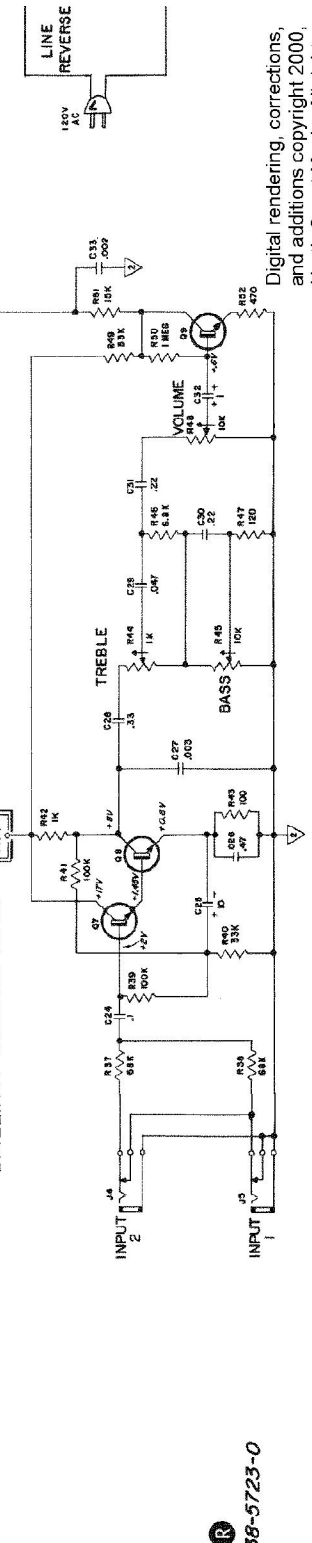
© 1988 VOX CORPORATION
 NATIONAL SERVICE DEPARTMENT
 SEPULVEDA, CALIFORNIA 91343

North Coast Music

NORMAL CHANNEL INPUT



BRIGHT CHANNEL INPUT



Digital rendering, corrections, and additions copyright 2000, North Coast Music. All rights reserved, unauthorized duplication or resale prohibited.

38-5723-0